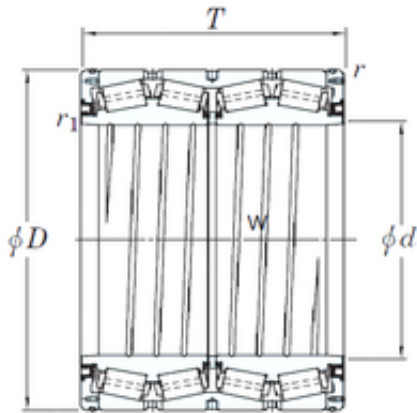




Shandong Chik Bearing Co., Ltd.

KOYO 47TS966850 tapered roller bearings

Bearing No. 47TS966850



47TS966850 Bearing 2D drawings and 3D CAD models

Size	479.425x679.45x495.3 mm
Bore Diameter	479,425 mm
Outer Diameter	679,45 mm
Width	495,3 mm
d	479,425 mm
D	679,45 mm
T	495,3 mm
r min.	6,4 mm
r1 min.	2 mm
W	495,3 mm
Weight	562 Kg
Basic dynamic load rating (C)	8030 kN
Basic static load rating (C0)	19600 kN
Calculation factor (e)	0,33
Calculation factor (Y2)	2,03