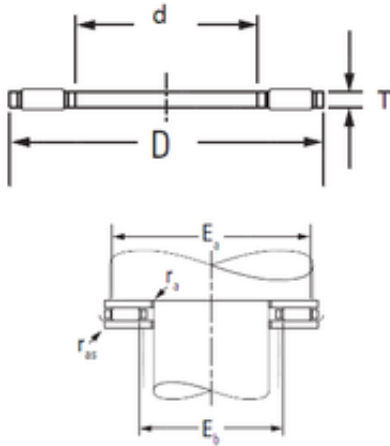




Shandong Chik Bearing Co., Ltd.

KOYO FNT-1226 needle roller bearings



FNT-1226 Bearing 2D drawings and 3D CAD models

Bearing No. FNT-1226

Size	12x26x2 mm
Bore Diameter	12 mm
Outer Diameter	26 mm
Width	2 mm
d	12 mm
D	26 mm
T	2 mm
ra max.	0.3 mm
Ea	25.0 mm
Eb	14.0 mm
Weight	0.004 Kg
Basic dynamic load rating (C)	9.92 kN
Basic static load rating (C0)	29.0 kN
Category	Thrust Roller Bearing
Inventory	0.0
Manufacturer Name	KOYO
Minimum Buy Quantity	N/A
Weight / Kilogram	0.004
EAN	0605790253690
Product Group	B04144
Rolling Element	Needle Roller Bearing
Self Aligning	No
Component Description	Roller Assembly Only
Thrust Bearing	Yes
Single or Double Direction	Single Direction
Banded	No



Shandong Chik Bearing Co., Ltd.

Cage Material	Steel
Precision Class	ABEC 1 ISO P0
Other Features	Single Row Two Piece Cage
Long Description	12MM Bore 1; 12MM Bore 2; 26MM Outside Diameter; 2MM Height; Needle Roller Bearing; Single Direction; Not Self Aligning; Not Banded; Steel Cage; ABEC 1 ISO P0; Roller Assembly Only
Inch - Metric	Metric
Category	Thrust Roller Bearings
UNSPSC	31171500
Harmonized Tariff Code	8482.99.25.40
Noun	Roller Assembly
Keyword String	Thrust Needle
Manufacturer URL	http://www.koyousa.com
Manufacturer Item Number	FNT-1226
Weight / LBS	0.009
Height	0.079 Inch 2 Millimeter
Outside Diameter	1.024 Inch 26 Millimeter
Bore 2	0.472 Inch 12 Millimeter
Overall Height with Aligning Washer	0 Inch 0 Millimeter
Bore 1	0.472 Inch 12 Millimeter
Bearing No.	FNT-1226
Dc1	12
Dc	26
Dw	2
Ca	9.92
C0a	29.0
Cu	2.75
Oil lub.	15000



Shandong Chik Bearing Co., Ltd.

ra(max)	0.3
(Refer.) Mass(kg)	0.004
D,d1	26
D1	-
h1	1.00 mm
Washer designation	AS1226
(Refer.) Mass(kg)	0.003
h	2.75 mm
a	0.50 mm
Washer designation	LS1226
(Refer.) Mass(kg)	0.009
h	- mm
rs(min)	-
Washer designation Shaft piloted	-
Washer designation Housing piloted	-
(Refer.) Mass(kg)	-