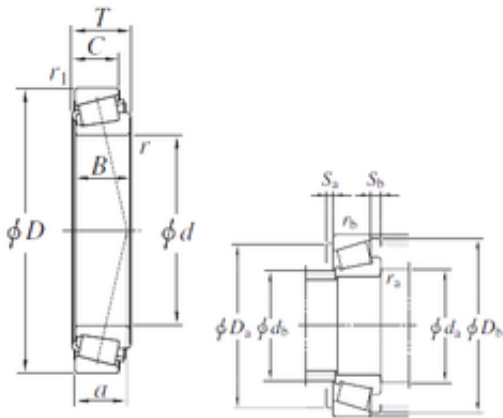




# Shandong Chik Bearing Co., Ltd.

206,375 mm x 319,088 mm x 53,975 mm KOYO  
EE132084/132127 tapered roller bearings



Bearing No. EE132084/132127

EE132084/132127 Bearing 2D drawings and 3D CAD models

Size	206.375x319.088x53.975 mm
Bore Diameter	206,375 mm
Outer Diameter	319,088 mm
Width	53,975 mm
d	206,375 mm
D	319,088 mm
T	53,975 mm
B	53,975 mm
C	34,925 mm
a	48,4 mm
r min.	4 mm
r1 min.	3,2 mm
da min.	221 mm
Da min	285 mm
Da max.	306 mm
db max.	238 mm
ra max.	4 mm
rb max.	3,2 mm
Db	292 mm
Weight	13,6 Kg
Basic dynamic load rating (C)	439 kN
Basic static load rating (C0)	724 kN
Calculation factor (e)	0,31
Calculation factor (Y0)	1,05



# Shandong Chik Bearing Co., Ltd.