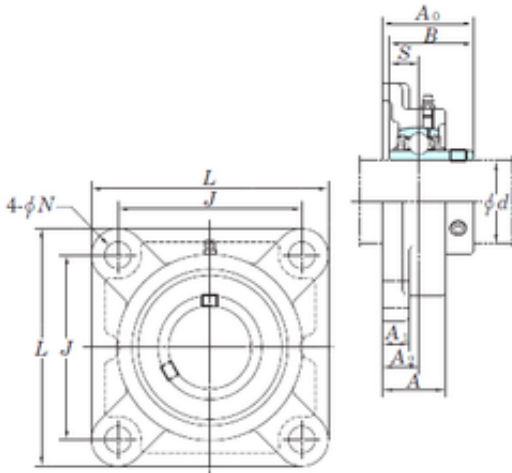




Shandong Chik Bearing Co., Ltd.



KOYO UCFX10-32E bearing units

Bearing No. UCFX10-32E

| | |
|-------------------------------|---------|
| Bore Diameter | 50,8 mm |
| d | 50,8 mm |
| A0 | 59,4 mm |
| A | 44 mm |
| A1 | 20 mm |
| B | 55,6 mm |
| J | 130 mm |
| L | 162 mm |
| N | 16,5 mm |
| S | 22,2 mm |
| Bolt (G) | 9/16 |
| A2 | 26 mm |
| Weight | 3,7 Kg |
| Basic dynamic load rating (C) | 43,4 kN |
| Basic static load rating (C0) | 29,4 kN |

UCFX10-32E Bearing 2D drawings and 3D CAD models