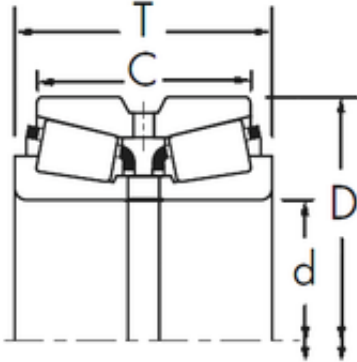




Shandong Chik Bearing Co., Ltd.

Timken HM129848/HM129814XD tapered roller bearings

Bearing No. HM129848/HM129814XD



HM129848/HM129814XD Bearing 2D drawings and 3D CAD models

Size	144.45x220.662x155.839 mm
Bore Diameter	144,45 mm
Outer Diameter	220,662 mm
Width	155,839 mm
d	144,45 mm
D	220,662 mm
T	155,839 mm
C	163,51 mm
R	1,5 mm
r	1 mm