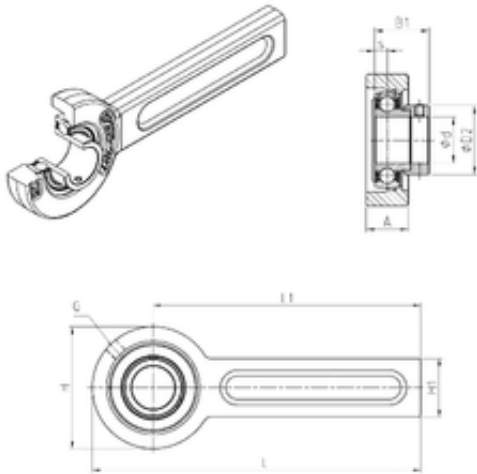




Shandong Chik Bearing Co., Ltd.



ESSP201 Bearing 2D drawings and 3D CAD models

SNR ESSP201 bearing units

Bearing No. ESSP201

Bore Diameter	12 mm
d	12 mm
s	6,5 mm
A	21 mm
B1	28,6 mm
D2	28,6 mm
H	78 mm
H1	41 mm
L	264 mm
L1	225 mm
Thread (G)	R1/8"
Weight	1,6 Kg
Basic dynamic load rating (C)	9,55 kN
B	19 mm
A5	12.5 mm
d1	27.2 mm
G	R1/8"
H2	41 mm
s1	23 mm
S	6.5 mm
SW	3 mm
C	9.55 kN
C0	4.78 kN
T min.	-20 ° C
T max.	100 ° C
Recommended tightening	5.5 Nm



Shandong Chik Bearing Co., Ltd.

torque for set screw	
Designation of housing	SP203-205/40-
Designation of bearing	ES201G2