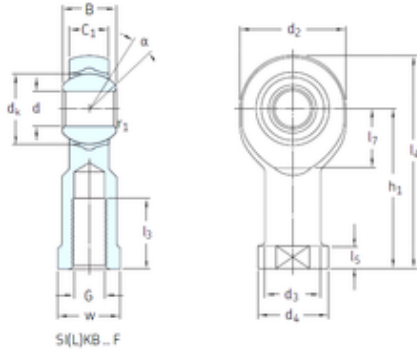




# Shandong Chik Bearing Co., Ltd.

## SKF SIKB10F/VZ019 plain bearings



Bearing No. SIKB10F/VZ019

Bore Diameter	10 mm
d	10 mm
d2 max.	29 mm
d3	15 mm
d4 max.	20 mm
dk	19 mm
h1	43 mm
l3 min.	20 mm
l4 max.	58 mm
l5	6,5 mm
l7 min.	14 mm
r1 min.	0,3 mm
B	14 mm
C1 max	10,5 mm
w	17 Tolerance h14
Thread (G)	M10x1,25 Tolerance 6H
Angle	13 °
Weight	0,079 Kg
Basic dynamic load rating (C)	9,8 kN

SIKB10F/VZ019 Bearing 2D drawings and 3D CAD models