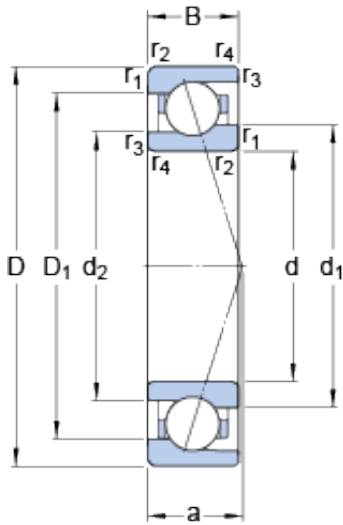




Shandong Chik Bearing Co., Ltd.



71914 CE/HCP4A Bearing 2D drawings and 3D CAD models

70 mm x 100 mm x 16 mm SKF 71914 CE/HCP4A angular contact ball bearings

Bearing No. 71914 CE/HCP4A

Size	100x70x16 mm
Bore Diameter	100 mm
Outer Diameter	70 mm
Width	16 mm
d	70 mm
D	100 mm
B	16 mm
d ₁	79.3 mm
d ₂	76.8 mm
D ₁	90.52 mm
r _{1,2} - min.	1 mm
r _{3,4} - min.	0.3 mm
a	20 mm
d _a - min.	74.6 mm
d _b - min.	72 mm
D _a - max.	95.4 mm
D _b - max.	98 mm
r _a - max.	1 mm
r _b - max.	0.3 mm
d _n	81.5 mm
Basic dynamic load rating - C	22.1 kN
Basic static load rating - C ₀	16.3 kN
Fatigue load limit - P _u	0.68 kN
Limiting speed for grease	22000 r/min



Shandong Chik Bearing Co., Ltd.

Lubrication	
Limiting speed for oil lubrication	34000 mm/min
Ball - D_w	9.525 mm
Ball - z	22
G_{ref}	4.3 cm ³
Calculation factor - f_0	8.4
Preload class A - G_A	120 N
Preload class B - G_B	360 N
Preload class C - G_C	710 N
Calculation factor - f	1.14
Calculation factor - f	1
Calculation factor - f_{2A}	1
Calculation factor - f_{2B}	1.05
Calculation factor - f_{2C}	1.09
Calculation factor - f_{HC}	1.01
Preload class A	58 N/micron
Preload class B	92 N/micron
Preload class C	125 N/micron
d_1	79.3 mm
d_2	76.8 mm
D_1	90.52 mm
$r_{1,2}$ min.	1 mm
$r_{3,4}$ min.	0.3 mm
d_a min.	74.6 mm
d_b min.	72 mm
D_a max.	95.4 mm
D_b max.	98 mm
r_a max.	1 mm
r_b max.	0.3 mm
d_n	81.5 mm



Shandong Chik Bearing Co., Ltd.

Basic dynamic load rating C	22.1 kN
Basic static load rating C_0	16.3 kN
Fatigue load limit P_u	0.68 kN
Attainable speed for grease lubrication	22000 r/min
Attainable speed for oil-air lubrication	34000 r/min
Ball diameter D_w	9.525 mm
Number of balls z	22
Reference grease quantity G_{ref}	4.3 cm ³
Preload class A G_A	120 N
Static axial stiffness, preload class A	58 N/ μ m
Preload class B G_B	360 N
Static axial stiffness, preload class B	92 N/ μ m
Preload class C G_C	710 N
Static axial stiffness, preload class C	125 N/ μ m
Calculation factor f	1.14
Calculation factor f_1	1
Calculation factor f_{2A}	1
Calculation factor f_{2B}	1.05
Calculation factor f_{2C}	1.09
Calculation factor f_{HC}	1.01
Calculation factor f_0	8.4
Mass bearing	0.27 kg