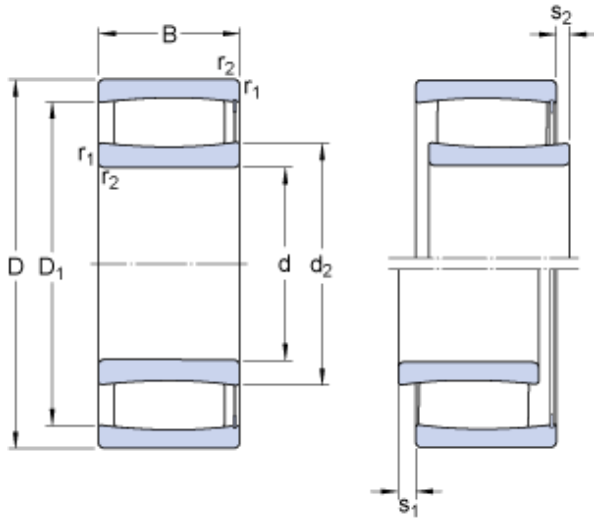




Shandong Chik Bearing Co., Ltd.



40 mm x 80 mm x 23 mm SKF C 2208 V cylindrical roller bearings

Bearing No. C 2208 V

C 2208 V Bearing 2D drawings and 3D CAD models

Size	80x40x23 mm
Bore Diameter	80 mm
Outer Diameter	40 mm
Width	23 mm
d	40 mm
D	80 mm
B	23 mm
d ₂	52.4 mm
D ₁	69.9 mm
s ₁	7.1 mm
s ₂	4.1 mm
r _{1,2} - min.	1.1 mm
d _a - min.	47 mm
d _a - max.	66 mm
D _a - max.	73 mm
r _a - max.	1 mm
Basic dynamic load rating - C	102 kN
Basic static load rating - C ₀	104 kN
Fatigue load limit - P _u	12.2 kN
Limiting speed	4500 r/min
Factor - k ₁	0.093
Factor - k ₂	0.128
Category	Bearings



Shandong Chik Bearing Co., Ltd.

Inventory	0.0
Manufacturer Name	SKF
Minimum Buy Quantity	N/A
Weight / Kilogram	0
EAN	7316570170153
Product Group	B04144
d_2	52.4 mm
D_1	69.9 mm
s_1 max.	7.1 mm
s_2 max.	4.1 mm
$r_{1,2}$ min.	1.1 mm
d_a min.	47 mm
d_a max.	66 mm
D_a max.	73 mm
r_a max.	1 mm
Basic dynamic load rating C	102 kN
Basic static load rating C_0	104 kN
Fatigue load limit P_u	12.2 kN
Misalignment factor k_1	0.093
Operating clearance factor k_2	0.128
Mass bearing	0.53 kg