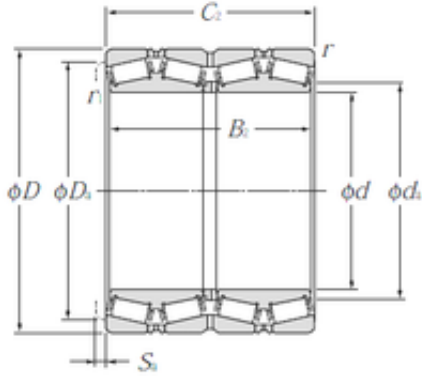




Shandong Chik Bearing Co., Ltd.

595,312 mm x 844,55 mm x 615,95 mm NTN E-M280049D/M280010/M280010DG2 tapered roller bearings



Bearing No. E-M280049D/M280010/M280010DG2

Size	595.312x844.55x615.95 mm
Bore Diameter	595,312 mm
Outer Diameter	844,55 mm
Width	615,95 mm
d	595,312 mm
D	844,55 mm
B	615,95 mm
C	615,95 mm
r min.	6,4 mm
r1 min.	3,3 mm
Da	786 mm
da	633 mm
Sa	11 mm
Weight	1 160 Kg
Basic dynamic load rating (C)	12 600 kN

E-M280049D/M280010/M280010DG2 Bearing 2D drawings and 3D CAD models