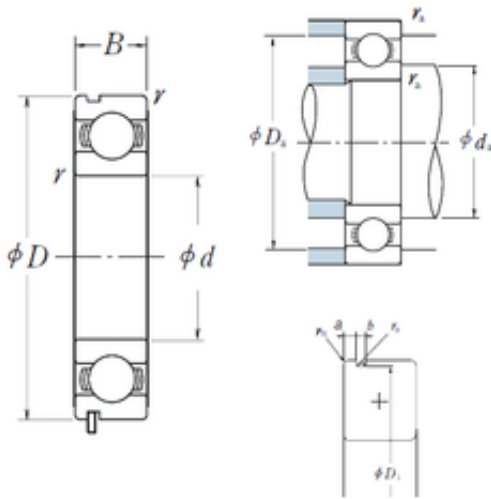




Shandong Chik Bearing Co., Ltd.



90 mm x 125 mm x 18 mm NSK 6918N deep groove ball bearings

Bearing No. 6918N

6918N Bearing 2D drawings and 3D CAD models

Size	90x125x18 mm
Bore Diameter	90 mm
Outer Diameter	125 mm
Width	18 mm
d	90 mm
D	125 mm
B	18 mm
C	18 mm
rn	0,5 mm
a	3,3 mm
b	1,3 mm
r min.	1,1 mm
r0 max.	0,4 mm
D1	122,6 mm
da min.	96,5 mm
da max	98,5 mm
Da max.	118,5 mm
ra max.	1 mm
Weight	0,585 Kg
Basic dynamic load rating (C)	33 kN
Basic static load rating (C0)	31,5 kN
(Grease) Lubrication Speed	5 000 r/min
(Oil) Lubrication Speed	6 000 r/min
SRI	5.34
hidYobi	6918N



Shandong Chik Bearing Co., Ltd.

LangID	1
ro	0.4
D_	125
SREX	0.025
B_	18
da min	96.5
hidTable	ecat_NSRDGB
Oil rpm	6000
SRE	5.34
mass	0.585
GRS rpm	5000
ra	1
SRIX	0.025
D_a	118.5
SRIN	-0.025
C0	31.5
fo	16.5
SREN	-0.025
DE_	117.819
Prod_Type3	DGBB_SR_N_OT
DA_	10.319
bomp	0
Z_	18
yobi	6918N
C_conv	33000
ALPHA_	0
SDM_	107.5
r	1.1
KBRG	6101
SBRG	19
DI_	97.181