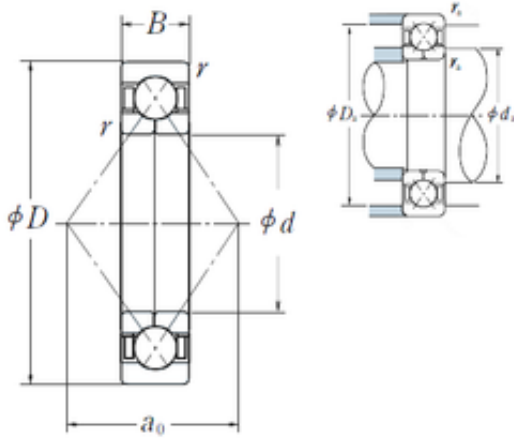




## Shandong Chik Bearing Co., Ltd.

60 mm x 110 mm x 22 mm NSK QJ212 angular contact ball bearings

Bearing No. QJ212



QJ212 Bearing 2D drawings and 3D CAD models

Size	60x110x22 mm
Bore Diameter	60 mm
Outer Diameter	110 mm
Width	22 mm
d	60 mm
D	110 mm
B	22 mm
C	22 mm
Angle ( ° )	35 °
a	59,5 mm
r min.	1,5 mm
da min.	69 mm
da max	101 mm
ra max.	1,5 mm
Weight	0,98 Kg
Basic dynamic load rating (C)	85,5 kN
Basic static load rating (C0)	150 kN
(Grease) Lubrication Speed	4 800 r/min
SRI	8.26
hidYobi	QJ212
LangID	1
ALP23	0
ALP22	0
D_	110
ALP21	35



## Shandong Chik Bearing Co., Ltd.

SREX	0.065
B_	22
hidTable	ecat_NSANGFP
Oil rpm	6300
C0r	15300
SRE	8.26
mass	0.98
GRS rpm	4800
ra	1.5
SRIX	0.065
D_a	101
Cr	8750
SRIN	0
C0	150
SREN	0
DE_	100.955
Prod_Type3	ACBB_FP_A
da	69
DA_	15.875
Z_	14
yobi	QJ212
ao	59.5
SDM_	85
r	1.5
KBRG	776
DI_	69.011