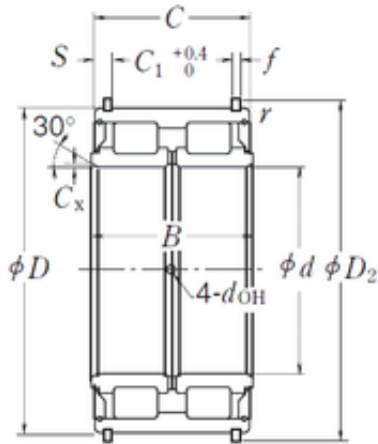




Shandong Chik Bearing Co., Ltd.



50 mm x 80 mm x 40 mm NSK RS-5010NR cylindrical roller bearings

Bearing No. RS-5010NR

| | |
|-------------------------------|---------------|
| Size | 50x80x40 mm |
| Bore Diameter | 50 mm |
| Outer Diameter | 80 mm |
| Width | 40 mm |
| d | 50 mm |
| D | 80 mm |
| B | 40 mm |
| C | 39 mm |
| f | 2 mm |
| r min. | 0,6 mm |
| C1 | 30 mm |
| D2 | 83,8 mm |
| S | 4,5 mm |
| C2 | 0,4 mm |
| Weight | 0,76 Kg |
| Basic dynamic load rating (C) | 100 kN |
| Basic static load rating (C0) | 158 kN |
| hidYobi | RS-5010NR |
| LangID | 1 |
| D_ | 80 |
| B_ | 40 |
| hidTable | ecat_NSCLDRSG |
| Cx | 0.4 |
| mass | 0.76 |
| GRS rpm | 2000 |

RS-5010NR Bearing 2D drawings and 3D CAD models



Shandong Chik Bearing Co., Ltd.

| | |
|------------|-----------------|
| da_min | 53.5 |
| C0 | 158 |
| DE_ | 72.5 |
| Prod_Type3 | CRB_FRFS_PT_WLR |
| dx_min | 89.5 |
| DA_ | 7.5 |
| Z_ | 27 |
| r_min | 0.6 |
| yobi | RS-5010NR |
| SDM_ | 65 |
| r | 39 |
| KBRG | 4220 |
| DI_ | 57.5 |
| doh | 2.5 |