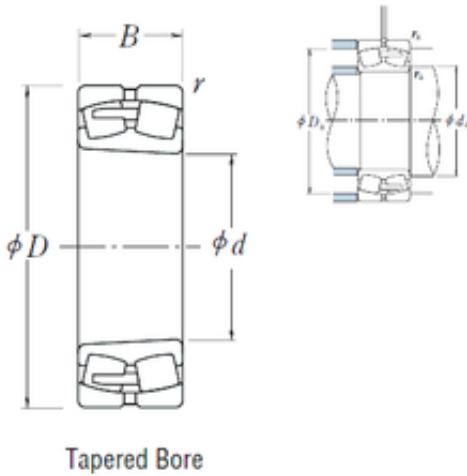




Shandong Chik Bearing Co., Ltd.

260 mm x 400 mm x 140 mm NSK 24052CAK30E4 spherical roller bearings

Bearing No. 24052CAK30E4



24052CAK30E4 Bearing 2D drawings and 3D CAD models

Size	260x400x140 mm
Bore Diameter	260 mm
Outer Diameter	400 mm
Width	140 mm
d	260 mm
D	400 mm
B	140 mm
C	140 mm
r min.	4 mm
da min.	278 mm
Da min	348 mm
Da max.	382 mm
ra max.	3 mm
Weight	62,6 Kg
Basic dynamic load rating (C)	1810 kN
Basic static load rating (C0)	3500 kN
(Grease) Lubrication Speed	630 r/min
(Oil) Lubrication Speed	850 r/min
Calculation factor (e)	0,32
Calculation factor (Y0)	2,1
Calculation factor (Y2)	3,1