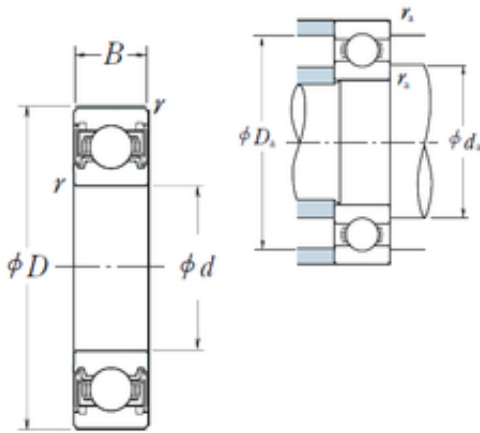




# Shandong Chik Bearing Co., Ltd.



## 85 mm x 110 mm x 13 mm NSK 6817VV deep groove ball bearings

Bearing No. 6817VV

6817VV Bearing 2D drawings and 3D CAD models

Size	85x110x13 mm
Bore Diameter	85 mm
Outer Diameter	110 mm
Width	13 mm
d	85 mm
D	110 mm
B	13 mm
C	13 mm
r min.	1 mm
da min.	90 mm
da max	90,5 mm
Da max.	105 mm
ra max.	1 mm
Weight	0,263 Kg
Basic dynamic load rating (C)	18,7 kN
Basic static load rating (C0)	20 kN
(Grease) Lubrication Speed	5 600 r/min
Category	Single Row Ball Bearings
Inventory	0.0
Manufacturer Name	NSK
Minimum Buy Quantity	N/A
Weight / Kilogram	0.25
EAN	0029176030321
Product Group	B00152
Enclosure	2 Seals



## Shandong Chik Bearing Co., Ltd.

Precision Class	ABEC 1   ISO P0
Maximum Capacity / Filling Slot	No
Rolling Element	Ball Bearing
Snap Ring	No
Internal Special Features	No
Cage Material	Steel
Enclosure Type	Non-Contact Seal
Internal Clearance	C0-Medium
Inch - Metric	Metric
Long Description	85MM Bore; 110MM Outside Diameter; 13MM Outer Race Diameter; 2 Seals; Ball Bearing; ABEC 1   ISO P0; No Filling Slot; No Snap Ring; No Internal Special Features
Category	Single Row Ball Bearing
UNSPSC	31171504
Harmonized Tariff Code	8482.10.50.68
Noun	Bearing
Keyword String	Ball
Manufacturer URL	<a href="http://www.nskamericas.com">http://www.nskamericas.com</a>
Manufacturer Item Number	6817VV
Weight / LBS	0.32
Outer Race Width	0.512 Inch   13 Millimeter
Bore	3.346 Inch   85 Millimeter
Outside Diameter	4.331 Inch   110 Millimeter
bore diameter:	85 mm
closure type:	Double Sealed
outside diameter:	110 mm
internal clearance:	Normal Clearance
overall width:	13 mm
manufacturer upc number:	029176030321



## Shandong Chik Bearing Co., Ltd.

bore type:	Round
SRI	3.7
hidYobi	6817VV
LangID	1
D_	110
SREX	0.02
B_	13
da min	90
hidTable	ecat_NSRDGB
SRE	3.7
mass	0.263
GRS rpm	5600
ra	1
SRIX	0.02
D_a	105
SRIN	-0.02
C0	20
fo	17.1
SREN	-0.02
DE_	104.644
Prod_Type3	DGBB_SR_VV
DA_	7.144
bomp	0
Z_	23
yobi	6817VV
C_conv	18700
ALPHA_	0
SDM_	97.5
r	1
KBRG	6151
SBRG	18
DI_	90.356



# Shandong Chik Bearing Co., Ltd.