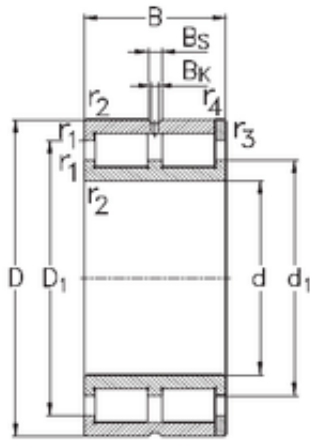




Shandong Chik Bearing Co., Ltd.



320 mm x 440 mm x 118 mm NKE NNC4964-V cylindrical roller bearings

Bearing No. NNC4964-V

Size	320x440x118 mm
Bore Diameter	320 mm
Outer Diameter	440 mm
Width	118 mm
d	320 mm
D	440 mm
B	118 mm
C	118 mm
d1	365,5 mm
r1 min.	3 mm
r2 min.	3 mm
r3 min.	3 mm
r4 min.	3 mm
D1	399 mm
Weight	56 Kg
Basic dynamic load rating (C)	1603 kN
Basic static load rating (C0)	3840 kN

NNC4964-V Bearing 2D drawings and 3D CAD models