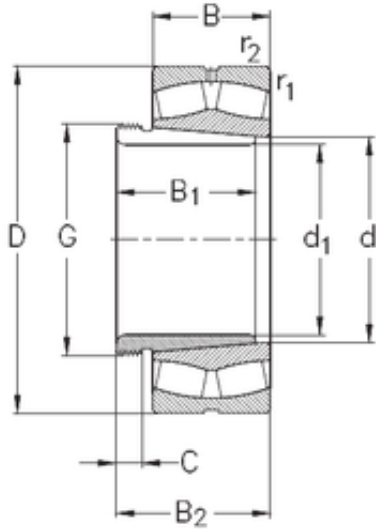




Shandong Chik Bearing Co., Ltd.



560 mm x 920 mm x 355 mm NKE
241/560-K30-MB-W33+AH241/560 spherical roller bearings

Bearing No. 241/560-K30-MB-W33+AH241/560

241/560-K30-MB-W33+AH241/560 Bearing 2D drawings and 3D CAD models

Size	560x920x355 mm
Bore Diameter	560 mm
Outer Diameter	920 mm
Width	355 mm
d	560 mm
d1	530 mm
D	920 mm
B	355 mm
C	355 mm
r1 min.	7,5 mm
r2 min.	7,5 mm
B1	393 mm
B2	417 mm
C	38 mm
Thread (G)	Tr 580x6
Weight	1067 Kg
Basic dynamic load rating (C)	10512 kN
Basic static load rating (C0)	21598 kN
Limiting speed	500 r/min
Calculation factor (e)	0,37
Calculation factor (Y0)	1,76
Calculation factor (Y1)	1,8