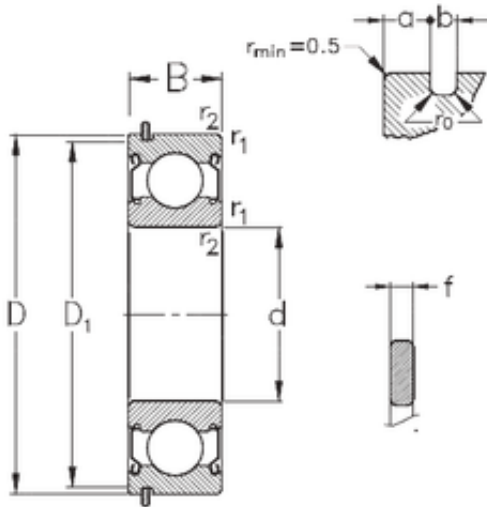




# Shandong Chik Bearing Co., Ltd.

## 80 mm x 125 mm x 22 mm NKE 6016-2Z-NR deep groove ball bearings

Bearing No. 6016-2Z-NR



6016-2Z-NR Bearing 2D drawings and 3D CAD models

Size	80x125x22 mm
Bore Diameter	80 mm
Outer Diameter	125 mm
Width	22 mm
d	80 mm
D	125 mm
B	22 mm
C	22 mm
a	4,06 mm
b	3,1 mm
f	2,82 mm
r1 min.	1,1 mm
r2 min.	1,1 mm
D1	120,22 mm
D2	134,7 mm
Weight	0,85 Kg
Basic dynamic load rating (C)	51 kN
Basic static load rating (C0)	42 kN