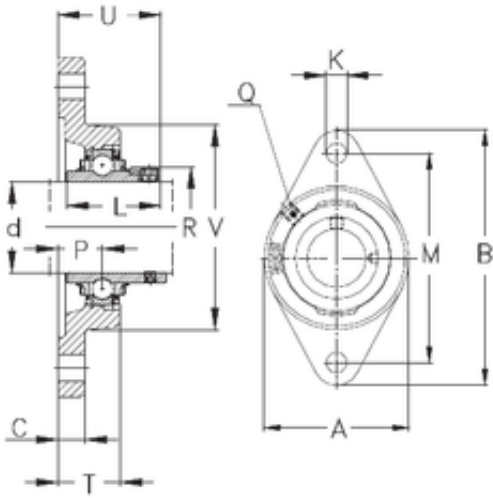




Shandong Chik Bearing Co., Ltd.

NKE RCJT55 bearing units

Bearing No. RCJT55



RCJT55 Bearing 2D drawings and 3D CAD models

Bore Diameter	55 mm
d	55 mm
P	31 mm
V	134 mm
U	74,6 mm
K	18 mm
A	134 mm
B	222 mm
C	15 mm
L	71,4 mm
M	184 mm
R	76 mm
T	43,5 mm
Thread (G)	R1/8 "