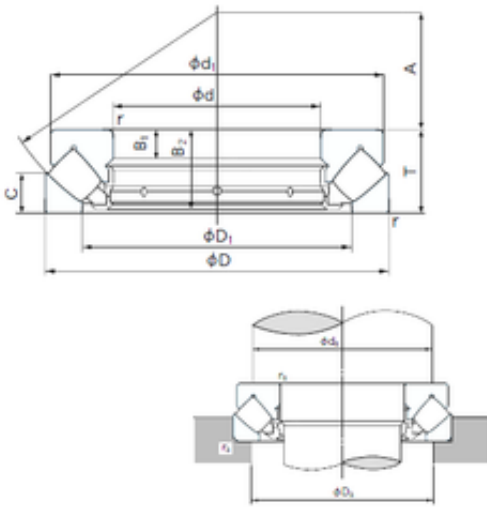




# Shandong Chik Bearing Co., Ltd.

## 150 mm x 300 mm x 32 mm NACHI 29430E thrust roller bearings

Bearing No. 29430E



29430E Bearing 2D drawings and 3D CAD models

|                               |               |
|-------------------------------|---------------|
| Size                          | 150x300x90 mm |
| Bore Diameter                 | 150 mm        |
| Outer Diameter                | 300 mm        |
| Width                         | 90 mm         |
| d                             | 150 mm        |
| D                             | 300 mm        |
| T                             | 90 mm         |
| d1                            | 285 mm        |
| r min.                        | 4 mm          |
| A                             | 92 mm         |
| B1                            | 32 mm         |
| B2                            | 86 mm         |
| C                             | 44 mm         |
| D1                            | 214 mm        |
| da min.                       | 220 mm        |
| Da max.                       | 250 mm        |
| ra max.                       | 3 mm          |
| Weight                        | 29.6 Kg       |
| Basic dynamic load rating (C) | 1330 kN       |
| Basic static load rating (C0) | 4600 kN       |
| Category                      | Bearings      |
| Inventory                     | 0.0           |
| Manufacturer Name             | NACHI         |
| Minimum Buy Quantity          | N/A           |
| Weight / Kilogram             | 0             |



## Shandong Chik Bearing Co., Ltd.

|                       |                  |
|-----------------------|------------------|
| Product Group         | B04311           |
| Bore Type             | Cylindrical Bore |
| Enclosure             | Open             |
| Configuration         | Single Row       |
| Bore Size             | 150 mm           |
| Outside Diameter      | 300 mm           |
| Fillet Radius/Chamfer | 4 mm             |
| Width                 | 90 mm            |
| Dynamic Load Rating   | 1,330,000 N      |
| Static Load Rating    | 4,600,000 N      |
| Limiting Speed - Oil  | 1,100 rpm        |
| B                     | 32 mm            |
| da (min)              | 220 mm           |
| Da (max)              | 250 mm           |
| ra (max)              | 3 mm             |