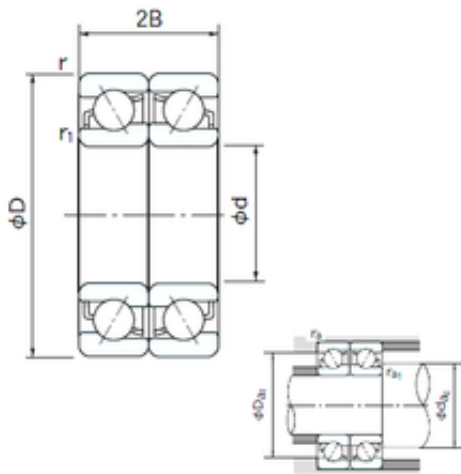




Shandong Chik Bearing Co., Ltd.



7305DF Bearing 2D drawings and 3D CAD models

25 mm x 62 mm x 17 mm NACHI 7305DF angular contact ball bearings

Bearing No. 7305DF

Size	25x62x17 mm
Bore Diameter	25 mm
Outer Diameter	62 mm
Width	17 mm
d	25 mm
D	62 mm
B	17 mm
C	17 mm
Angle (°)	30 °
a	4.1 mm
r min.	1.1 mm
r1 min.	0.6 mm
2B	34 mm
da min.	30 mm
Da max.	57 mm
ra max.	0.6 mm
Weight	0.245 Kg
Basic dynamic load rating (C)	43 kN
Basic static load rating (C0)	31,5 kN
(Grease) Lubrication Speed	8500 r/min
Bore Type	Cylindrical Bore
Enclosure	Open
Configuration	Duplex
Bore Size	25 mm
Outside Diameter	62 mm



Shandong Chik Bearing Co., Ltd.

Width	17 mm
Fillet Radius/Chamfer	1.1 mm
r1	0.6 mm
Dynamic Load Rating	43,000 N
Static Load Rating	31,500 N
Limiting Speed - Grease	8,500 rpm
Limiting Speed - Oil	11,000 rpm
da1 (min)	32 mm
da2 (min)	30 mm
Da1 (max)	55 mm
Da2 (max)	57 mm
ra (max)	1 mm
ra1 (max)	0.6 mm