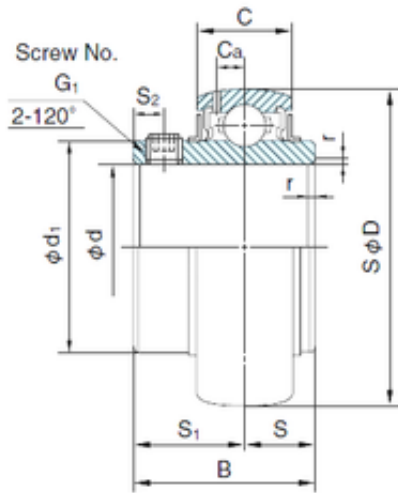




Shandong Chik Bearing Co., Ltd.



80 mm x 170 mm x 86 mm NACHI UC316 deep groove ball bearings

Bearing No. UC316

Size	80x170x86 mm
Bore Diameter	80 mm
Outer Diameter	170 mm
Width	86 mm
d	80 mm
D	170 mm
B	86 mm
C	44 mm
S1	52 mm
Ca	14.5 mm
d1	108 mm
r	3.5 mm
S	34 mm
S2	14 mm
Thread (G)	M14 × 1.5
Weight	5.40 Kg
Basic dynamic load rating (C)	123 kN

UC316 Bearing 2D drawings and 3D CAD models