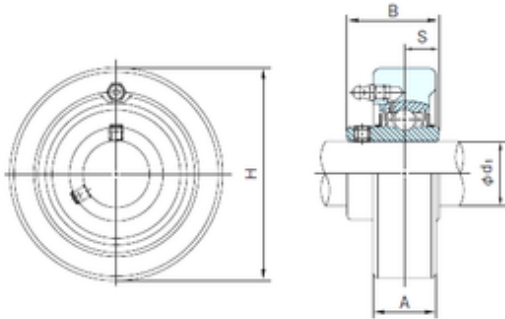




Shandong Chik Bearing Co., Ltd.

NACHI UCC314 bearing units



Bearing No. UCC314

Bore Diameter	70 mm
Width	78 mm
d	70 mm
A	52 mm
B	78 mm
H	180 mm
S	33 mm

UCC314 Bearing 2D drawings and 3D CAD models