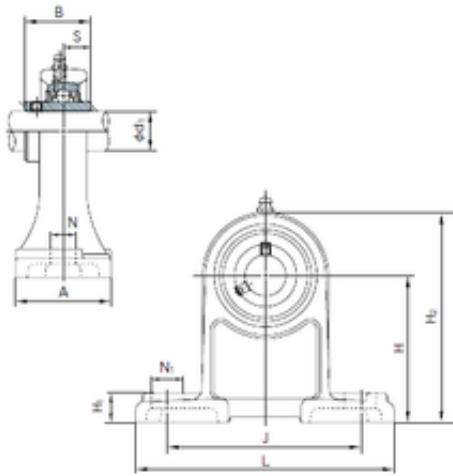




Shandong Chik Bearing Co., Ltd.

NACHI UCPH208 bearing units

Bearing No. UCPH208



UCPH208 Bearing 2D drawings and 3D CAD models

Bore Diameter	40 mm
Width	49.2 mm
d	40 mm
A	70 mm
B	49.2 mm
H	100 mm
H1	19 mm
H2	149 mm
J	137 mm
L	184 mm
N	17 mm
N1	25 mm
S	19 mm
Bolt (G)	M14