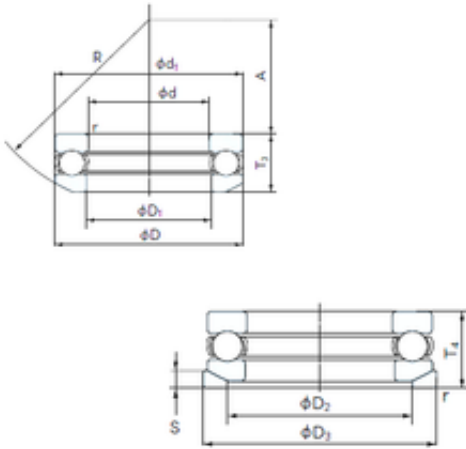




Shandong Chik Bearing Co., Ltd.

NACHI 53316U thrust ball bearings

Bearing No. 53316U



53316U Bearing 2D drawings and 3D CAD models

Size	80x140x52 mm
Bore Diameter	80 mm
Outer Diameter	140 mm
Width	52 mm
d	80 mm
D	140 mm
T	52 mm
d1	140 mm
r min.	1.5 mm
A	50 mm
D1	82 mm
D2	110 mm
D3	145 mm
R	112 mm
S	15 mm
Weight	3.45 Kg
Basic dynamic load rating (C)	176 kN
Basic static load rating (C0)	425 kN
(Grease) Lubrication Speed	1200 r/min