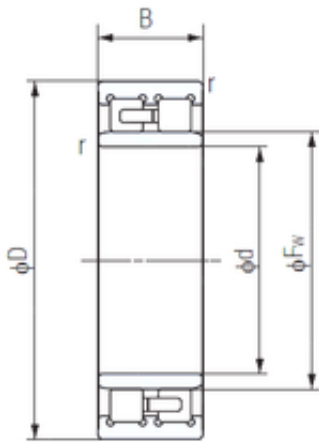




Shandong Chik Bearing Co., Ltd.

180 mm x 250 mm x 69 mm NACHI NNU4936 cylindrical roller bearings



Bearing No. NNU4936

Size	180x250x69 mm
Bore Diameter	180 mm
Outer Diameter	250 mm
Width	69 mm
d	180 mm
Fw	202 mm
D	250 mm
B	69 mm
C	69 mm
r min.	2 mm
Weight	9,5 Kg
Basic dynamic load rating (C)	480 kN
Basic static load rating (C0)	1020 kN
(Grease) Lubrication Speed	3500 r/min

NNU4936 Bearing 2D drawings and 3D CAD models