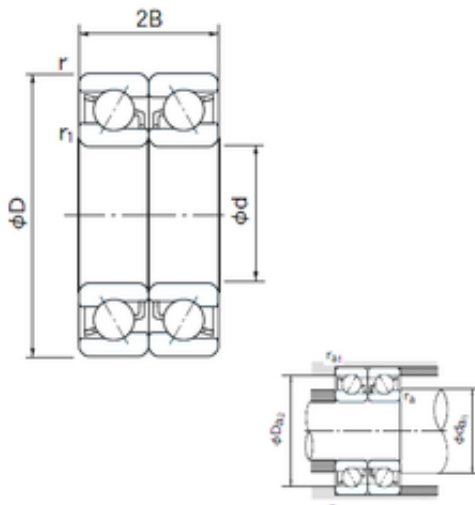




Shandong Chik Bearing Co., Ltd.



7314DB Bearing 2D drawings and 3D CAD models

70 mm x 150 mm x 35 mm NACHI 7314DB angular contact ball bearings

Bearing No. 7314DB

Size	70x150x35 mm
Bore Diameter	70 mm
Outer Diameter	150 mm
Width	35 mm
d	70 mm
D	150 mm
B	35 mm
C	35 mm
Angle (°)	30 °
a	14.3 mm
r min.	2.1 mm
r1 min.	1.1 mm
2B	70 mm
da min.	77 mm
Da max.	143 mm
ra max.	1 mm
Weight	2.70 Kg
Basic dynamic load rating (C)	203 kN
Basic static load rating (C0)	188 kN
(Grease) Lubrication Speed	3200 r/min
Bore Type	Cylindrical Bore
Enclosure	Open
Configuration	Duplex
Bore Size	70 mm
Outside Diameter	150 mm



Shandong Chik Bearing Co., Ltd.

Width	35 mm
Fillet Radius/Chamfer	2.1 mm
r1	1.1 mm
Dynamic Load Rating	203,000 N
Static Load Rating	188,000 N
Limiting Speed - Grease	3,200 rpm
Limiting Speed - Oil	4,300 rpm
da1 (min)	82 mm
da2 (min)	77 mm
Da1 (max)	138 mm
Da2 (max)	143 mm
ra (max)	2 mm
ra1 (max)	1 mm