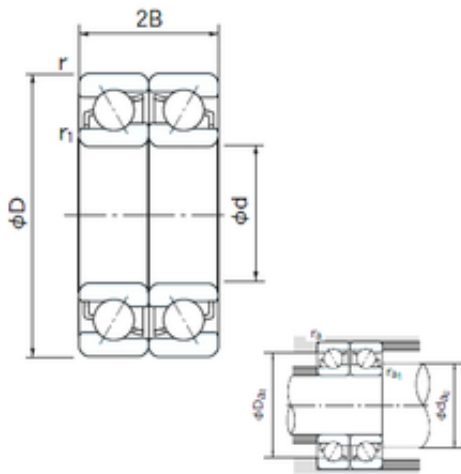




Shandong Chik Bearing Co., Ltd.



7215CDF Bearing 2D drawings and 3D CAD models

75 mm x 130 mm x 25 mm NACHI 7215CDF angular contact ball bearings

Bearing No. 7215CDF

Size	75x130x25 mm
Bore Diameter	75 mm
Outer Diameter	130 mm
Width	25 mm
d	75 mm
D	130 mm
B	25 mm
C	25 mm
Angle (°)	15 °
a -	0.7 mm
r min.	1.5 mm
r1 min.	1 mm
2B	50 mm
da min.	84 mm
Da max.	124.6 mm
ra max.	1 mm
Weight	1.23 Kg
Basic dynamic load rating (C)	135 kN
Basic static load rating (C0)	141 kN
(Grease) Lubrication Speed	6200 r/min
Bore Type	Cylindrical Bore
Enclosure	Open
Configuration	Duplex
Bore Size	75 mm
Outside Diameter	130 mm



Shandong Chik Bearing Co., Ltd.

Width	25 mm
Fillet Radius/Chamfer	1.5 mm
r1	1 mm
Dynamic Load Rating	135,000 N
Static Load Rating	141,000 N
Limiting Speed - Grease	6,200 rpm
Limiting Speed - Oil	8,800 rpm
da1 (min)	84 mm
da2 (min)	84 mm
Da1 (max)	121 mm
Da2 (max)	124.6 mm
ra (max)	1.5 mm
ra1 (max)	1 mm