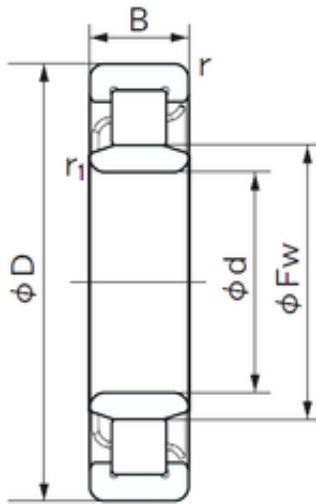




# Shandong Chik Bearing Co., Ltd.



## 60 mm x 110 mm x 28 mm NACHI NU 2212 cylindrical roller bearings

Bearing No. NU 2212

Size	60x110x28 mm
Bore Diameter	60 mm
Outer Diameter	110 mm
Width	28 mm
d	60 mm
Fw	73.5 mm
D	110 mm
B	28 mm
r min.	1.5 mm
r1 min.	1.5 mm
Weight	1.07 Kg
Basic dynamic load rating (C)	96 kN
Basic static load rating (C0)	116 kN
(Grease) Lubrication Speed	5300 r/min

NU 2212 Bearing 2D drawings and 3D CAD models