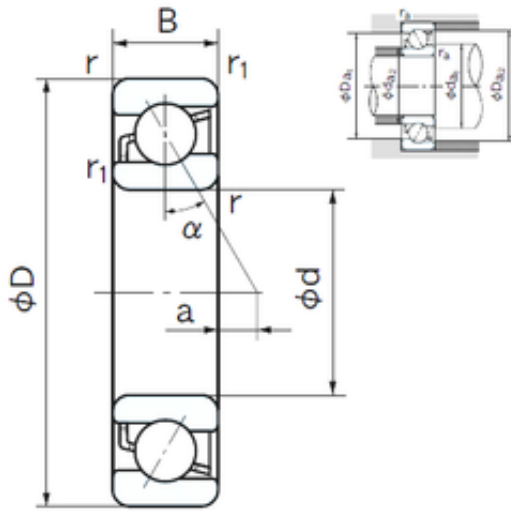




# Shandong Chik Bearing Co., Ltd.



## 140 mm x 250 mm x 42 mm NACHI 7228 angular contact ball bearings

Bearing No. 7228

7228 Bearing 2D drawings and 3D CAD models

Size	140x250x42 mm
Bore Diameter	140 mm
Outer Diameter	250 mm
Width	42 mm
d	140 mm
D	250 mm
B	42 mm
C	42 mm
Angle ( ° )	30 °
a	35.3 mm
r min.	3 mm
r1 min.	1.1 mm
da min.	154 mm
Da max.	236 mm
ra max.	2.5 mm
Weight	8.78 Kg
Basic dynamic load rating (C)	211 kN
Basic static load rating (C0)	228 kN
(Grease) Lubrication Speed	2200 r/min
Configuration	Single Row
Enclosure	Open
Bore Type	Cylindrical Bore
Bore Size	140 mm
Outside Diameter	250 mm
Width	42 mm



## Shandong Chik Bearing Co., Ltd.

Fillet Radius/Chamfer	3 mm
r1	1.1 mm
Dynamic Load Rating	211,000 N
Static Load Rating	228,000 N
Limiting Speed - Grease	2,200 rpm
Limiting Speed - Oil	3,000 rpm
da1 (min)	154 mm
da2 (min)	147 mm
Da1 (max)	236 mm
Da2 (max)	243 mm
ra (max)	2.5 mm
ra1 (max)	1 mm