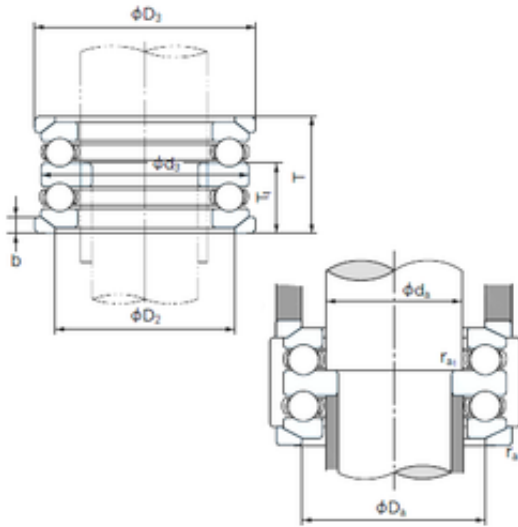




# Shandong Chik Bearing Co., Ltd.



54407U Bearing 2D drawings and 3D CAD models

## NACHI 54407U thrust ball bearings

Bearing No. 54407U

Size	35x80x69 mm
Bore Diameter	35 mm
Outer Diameter	80 mm
Width	69 mm
d	35 mm
d2	25 mm
D	80 mm
T	69 mm
ra1 max.	0.6 mm
T1	41.5 mm
a	14 mm
b	10 mm
d3	80 mm
r min.	1.1 mm
r1 min.	0.6 mm
D1	37 mm
D2	58 mm
D3	85 mm
da min.	35 mm
Da max.	58 mm
ra max.	1 mm
Weight	1.78 Kg
Basic dynamic load rating (C)	87 kN
Basic static load rating (C0)	155 kN
(Grease) Lubrication Speed	1900 r/min