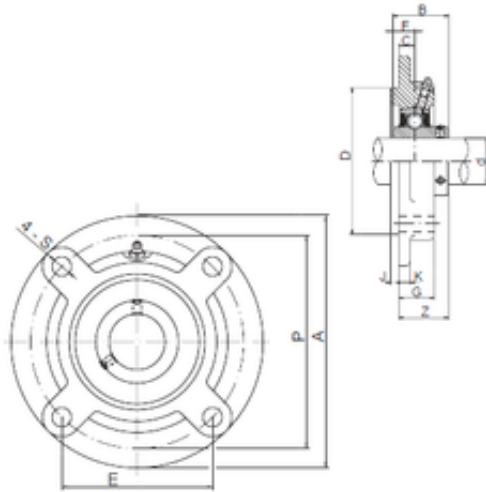




Shandong Chik Bearing Co., Ltd.

75 mm x 160 mm x 77,8 mm ISO UCFC215 bearing units



Bearing No. UCFC215

Bore Diameter	75 mm
d	75 mm
P	184 mm
Z	62,5 mm
A	220 mm
B	77,8 mm
C	18 mm
D	160 mm
E	130,1 mm
F	33,3 mm
G	40 mm
J	16 mm
K	18 mm
S	19 mm
Bolt (G)	M16

UCFC215 Bearing 2D drawings and 3D CAD models