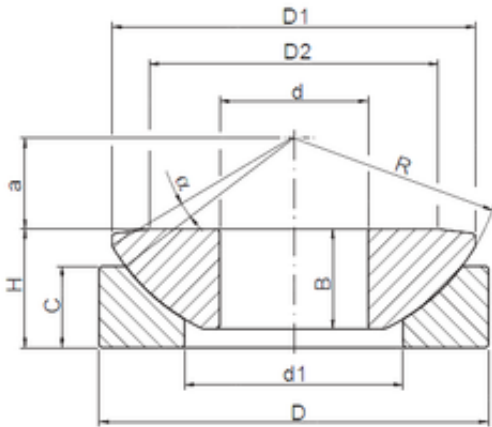




# Shandong Chik Bearing Co., Ltd.



30 mm x 75 mm x 18 mm ISO GW 030 plain bearings

Bearing No. GW 030

Size	30x75x26 mm
Bore Diameter	30 mm
Outer Diameter	75 mm
Width	26 mm
d	30 mm
D	75 mm
H	26 mm
a	17,5 mm
d1	44 mm
B	18 mm
C	19,5 mm
D1	69 mm
D2	56 mm
R	80 mm
Angle	6 °

GW 030 Bearing 2D drawings and 3D CAD models