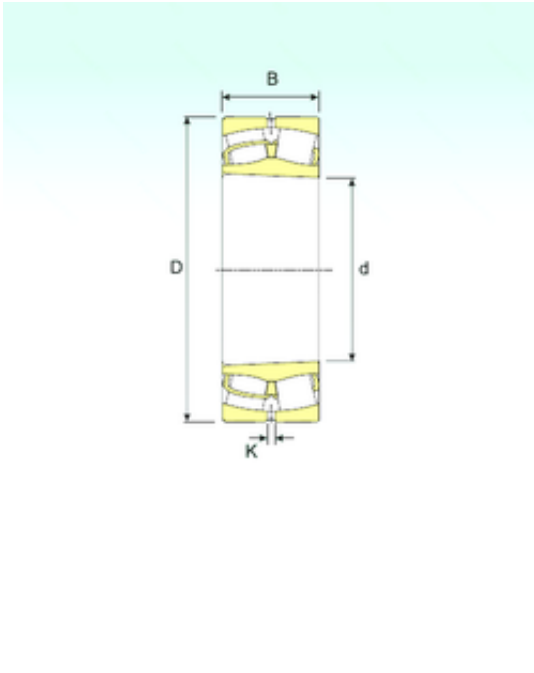




## Shandong Chik Bearing Co., Ltd.



23148 K Bearing 2D drawings and 3D CAD models

240 mm x 400 mm x 128 mm ISB 23148 K  
spherical roller bearings

Bearing No. 23148 K

Size	240x400x128 mm
Bore Diameter	240 mm
Outer Diameter	400 mm
Width	128 mm
d	240 mm
D	400 mm
B	128 mm
C	128 mm
K	9 mm
Weight	66,5 Kg
Basic dynamic load rating (C)	2038 kN
Basic static load rating (C0)	3136 kN
(Grease) Lubrication Speed	1224 r/min