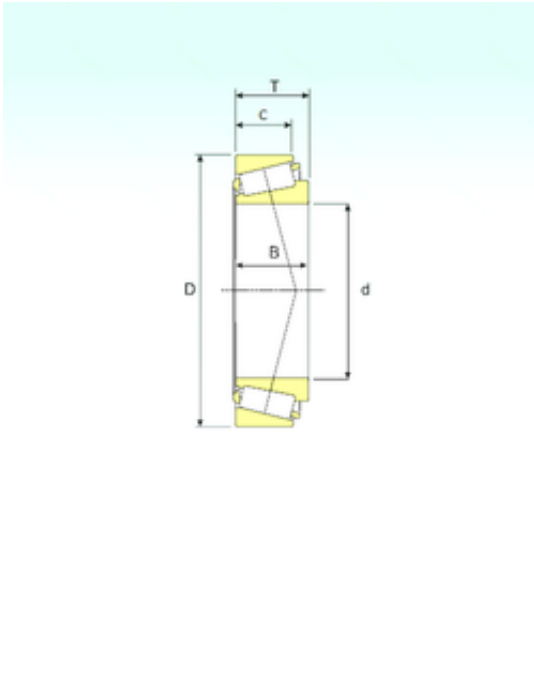




Shandong Chik Bearing Co., Ltd.



32007 Bearing 2D drawings and 3D CAD models

35 mm x 62 mm x 18 mm ISB 32007 tapered roller bearings

Bearing No. 32007

Size	35x62x18 mm
Bore Diameter	35 mm
Outer Diameter	62 mm
Width	18 mm
d	35 mm
D	62 mm
T	18 mm
B	18 mm
C	14 mm
Weight	0,22 Kg
Basic dynamic load rating (C)	42 kN
Basic static load rating (C0)	52 kN
(Grease) Lubrication Speed	8415 r/min