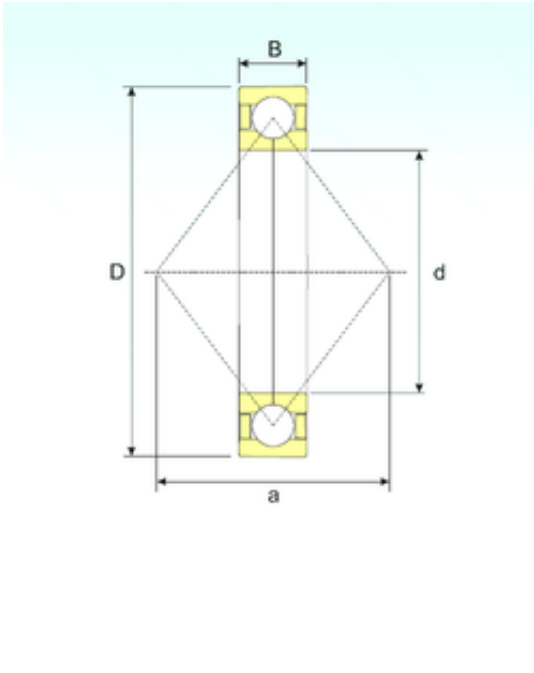




Shandong Chik Bearing Co., Ltd.



QJ 1038 Bearing 2D drawings and 3D CAD models

190 mm x 290 mm x 46 mm ISB QJ 1038 angular contact ball bearings

Bearing No. QJ 1038

Size	190x290x46 mm
Bore Diameter	190 mm
Outer Diameter	290 mm
Width	46 mm
d	190 mm
D	290 mm
B	46 mm
C	46 mm
a	168 mm
Weight	11,5 Kg
Basic dynamic load rating (C)	338 kN
Basic static load rating (C0)	380 kN
(Grease) Lubrication Speed	2250 r/min