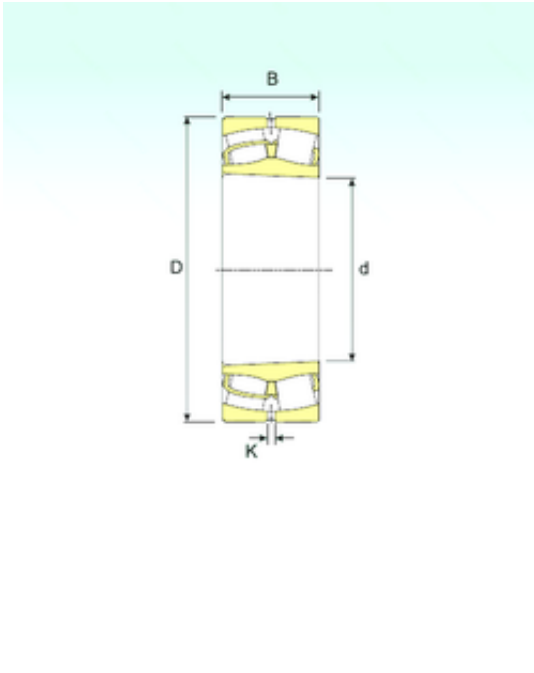




# Shandong Chik Bearing Co., Ltd.



1060 mm x 1280 mm x 218 mm ISB 248/1060 K spherical roller bearings

Bearing No. 248/1060 K

Size	1060x1280x218 mm
Bore Diameter	1060 mm
Outer Diameter	1280 mm
Width	218 mm
d	1060 mm
D	1280 mm
B	218 mm
C	218 mm
K	12 mm
Weight	570 Kg
Basic dynamic load rating (C)	5978 kN
Basic static load rating (C0)	19600 kN
(Grease) Lubrication Speed	273,6 r/min

248/1060 K Bearing 2D drawings and 3D CAD models