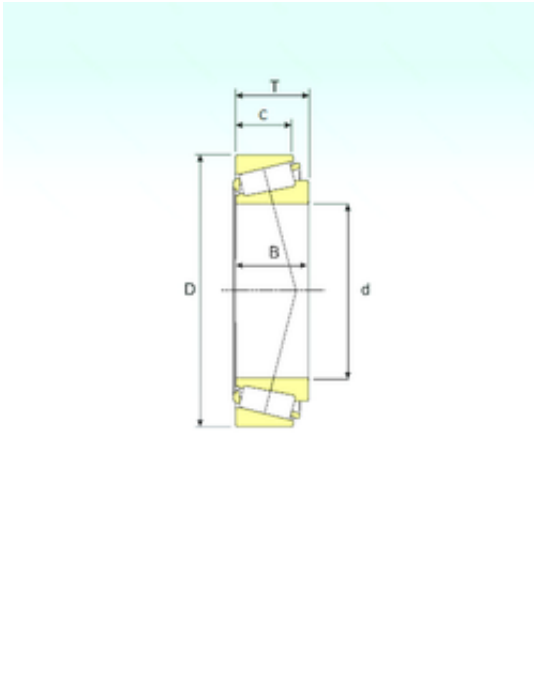




Shandong Chik Bearing Co., Ltd.



32944 Bearing 2D drawings and 3D CAD models

220 mm x 300 mm x 51 mm ISB 32944 tapered roller bearings

Bearing No. 32944

Size	220x300x51 mm
Bore Diameter	220 mm
Outer Diameter	300 mm
Width	51 mm
d	220 mm
D	300 mm
T	51 mm
B	51 mm
C	39 mm
Weight	10 Kg
Basic dynamic load rating (C)	474 kN
Basic static load rating (C0)	980 kN
(Grease) Lubrication Speed	1530 r/min