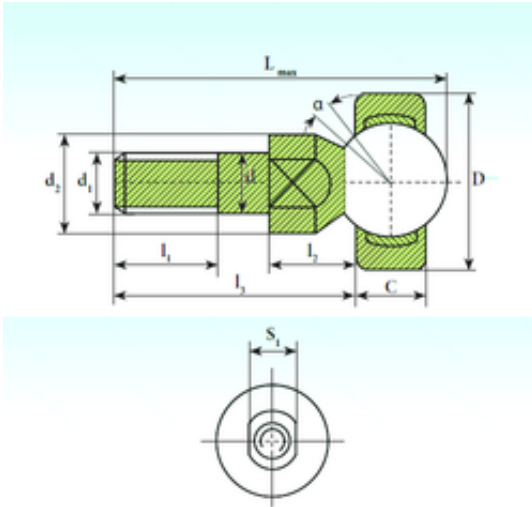




Shandong Chik Bearing Co., Ltd.



ISB SQD 14-1 C plain bearings

Bearing No. SQD 14-1 C

Outer Diameter	34 mm
D	34 mm
C	13,5 mm
d	14 mm
S1	17 mm
d2	19 mm
l1 min.	28 mm
l2 max.	16,8 mm
l3 min.	57,3 mm
L	76,7 mm
Thread (G)	M14x2
Angle	20 °
Weight	0,167 Kg
Basic dynamic load rating (C)	13 kN

SQD 14-1 C Bearing 2D drawings and 3D CAD models