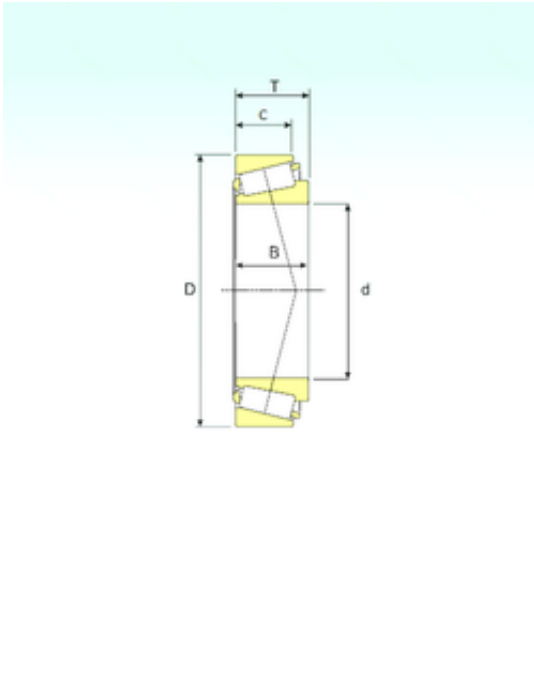




Shandong Chik Bearing Co., Ltd.



98,425 mm x 21 mm x 17,826 mm ISB A/382 tapered roller bearings

Bearing No. A/382

Size	98.425x21x21.946 mm
Bore Diameter	98,425 mm
Outer Diameter	21 mm
Width	21,946 mm
d	98,425 mm
D	21 mm
T	21,946 mm
B	17,826 mm
C	79 mm
Weight	387 Kg
Basic dynamic load rating (C)	99 kN
Basic static load rating (C0)	5400 kN
(Grease) Lubrication Speed	6750 r/min

A/382 Bearing 2D drawings and 3D CAD models