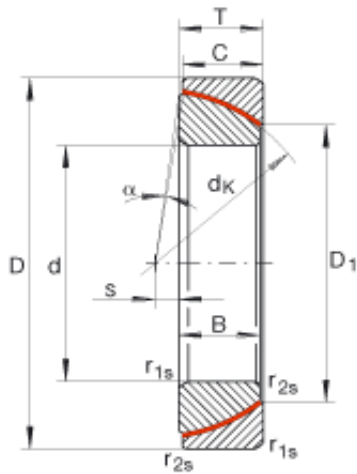




Shandong Chik Bearing Co., Ltd.



GE120-SW Bearing 2D drawings and 3D CAD models

INA GE120-SW plain bearings

Bearing No. GE120-SW

Size	120x180x36 mm
Bore Diameter	120 mm
Outer Diameter	180 mm
Width	36 mm
T	38 mm
C	36 mm
D ₁	135,4 mm
D _{a min}	145 mm
d _{a max}	132,9 mm
d _{b max}	155 mm
d _K	170 mm
D _{b min}	172 mm
r _{1s min}	0,6 mm
s	17 mm
alf (°)	1,4
Weight (kg)	3,9
C _r (N)	1500000
C _{0r} (N)	2490000
Category	Spherical Plain Bearings - Thrust
Inventory	0.0
Manufacturer Name	SCHAEFFLER GROUP
Minimum Buy Quantity	N/A
Weight / Kilogram	9.556
EAN	4012802532814



Shandong Chik Bearing Co., Ltd.

Product Group	B04264
Rolling Element	Spherical Plain
Self Aligning	Yes
Material - Outer Member	Steel
Material - Ball	Steel
Material - Liner	Teflon
Enclosure	Open
Relubricatable	No
Other Features	Angular Contact Single Direction
Long Description	120MM Bore; 180MM Housing Outside Diameter; 38MM Overall Width; Spherical Plain; Self Aligning; Steel Outer Member; Steel Ball; Teflon Liner; 172MM Ball Outside Diam; 36MM Housing Width; Not Relubrica
Inch - Metric	Metric
Category	Plain Bearings Spherical Thrust
UNSPSC	31171515
Harmonized Tariff Code	8483.30.80.70
Noun	Bearing
Keyword 3	Spherical
Keyword String	Plain Thrust Spherical
Manufacturer URL	http://www.ina.com
Manufacturer Item Number	GE120SWA
Weight / LBS	8.82
Overall Width	1.496 Inch 38 Millimeter
Bore	4.724 Inch 120 Millimeter
Housing Outside Diameter	7.087 Inch 180 Millimeter
Housing Width	1.417 Inch 36 Millimeter
Ball Outside Diameter	6.772 Inch 172 Millimeter



Shandong Chik Bearing Co., Ltd.