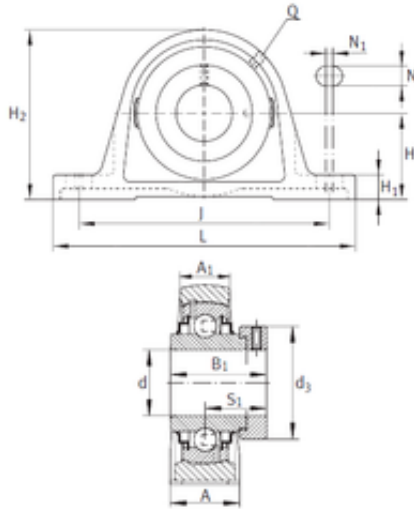




Shandong Chik Bearing Co., Ltd.



RASE1-1/2 Bearing 2D drawings and 3D CAD models

INA RASE1-1/2 bearing units

Bearing No. RASE1-1/2

Bore Diameter	38,1 mm
d	38,1 mm
S1	35,103 mm
Thread (Q)	1/8 NPT
d3	57,989 mm
A	50,013 mm
A1	32,995 mm
B	56,49 mm
H	49,2 mm
H1	19,99 mm
H2	100 mm
J	135,992 mm
L	181,509 mm
N	15,012 mm
N1	10,999 mm
Category	Pillow Block Bearings
Inventory	0.0
Manufacturer Name	SCHAEFFLER GROUP
Minimum Buy Quantity	N/A
Weight / Kilogram	2.1
Product Group	M06110
Number of Mounting Holes	2
Mounting Method	Eccentric Collar
Housing Style	2 Bolt Pillow Block
Rolling Element	Ball Bearing
Housing Material	Cast Iron



Shandong Chik Bearing Co., Ltd.

Expansion / Non-expansion	Non-expansion
Relubricatable	Yes
Insert Part Number	G1108KRRB
Seals	Double Land Riding Rubber Contact
Housing Configuration	1 Piece Solid
Inch - Metric	Inch
Other Features	Single Row Standard Shaft Height With Set Screw
Long Description	2 Bolt Pillow Block; 1-1/2" Bore; 1-15/16" Base to Center Height; Eccentric Collar Mount; Ball Bearing; 4-59/64" Minimum Bolt Spacing; 5.787" Bolt Spacing Maximum; Relubricatable;
Category	Pillow Block
UNSPSC	31171511
Harmonized Tariff Code	8483.20.40.40
Noun	Bearing
Keyword String	Pillow Block
Manufacturer URL	http://www.ina.com
Manufacturer Item Number	RASE1-1/2
Weight / LBS	4.631
Base to Center Height	1.938 Inch 49.225 Millimeter
Bolt Spacing Minimum	4.921 Inch 125Millimeter
Bolt Spacing Maximum	5.787 Inch 147Millimeter
Actual Bolt Center to Center	0 Inch 0Millimeter
Length Thru Bore	2.217 Inch 56.3 Millimeter
Nominal Bolt Center to Center	5.4 Inch 136 Millimeter
Bore	1.5 Inch 38.1 Millimeter