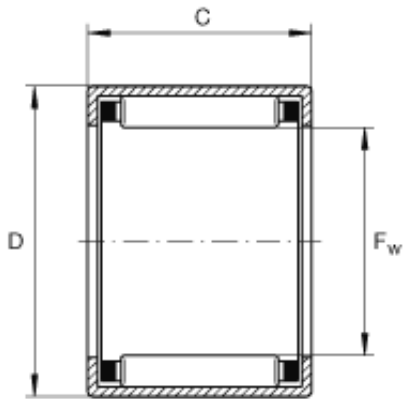




Shandong Chik Bearing Co., Ltd.



SCH1212 Bearing 2D drawings and 3D CAD models

INA SCH1212 needle roller bearings

Bearing No. SCH1212

Size	19.05x26.988x19.05 mm
Bore Diameter	19,05 mm
Outer Diameter	26,988 mm
Width	19,05 mm
F_w	3/4 inch
F_w	19,05 mm
D	1,063 inch
D	26,988 mm
C	0,75 inch
C	19,05 mm
m	0,06 lbs / Weight
m	27 g / Weight
C_r	4160 lbf / Dynamic load rating (radial)
C_r	18500 N / Dynamic load rating (radial)
C_{Or}	5300 lbf / Static load rating (radial)
C_{Or}	23600 N / Static load rating (radial)
n_G	12600 1/min / Limiting speed
Category	Needle Non Thrust Roller Bearings
Inventory	0.0
Manufacturer Name	SCHAEFFLER GROUP
Minimum Buy Quantity	N/A
Weight / Kilogram	0.034



Shandong Chik Bearing Co., Ltd.

EAN	4012802437072
Product Group	B04144
Rolling Element	Needle Roller Bearing
Component	Roller Assembly with Outer Ring - No Inner Ring
Enclosure	Open
Self Aligning	No
Retainer	Yes
Number of Rows of Rollers	Single Row
Separable	No
Closed End	No
Inch - Metric	Inch
Relubricatable	No
Thrust Bearing	No
Long Description	3/4" Bore; 1-1/16" Outside Diameter; 3/4" Width; Needle Roller Bearing; Roller Assembly with Outer Ring - No Inner Ring; Open Enclosure; No Self Aligning; Yes Retainer; Single Row of Ro
Other Features	2 Rib Outer Ring Drawn Cup Bearing Steel Cage Heavy Duty
Category	Needle Non Thrust Roller Bearing
UNSPSC	31171512
Harmonized Tariff Code	8482.40.00.00
Noun	Bearing
Keyword String	Needle
Manufacturer URL	http://www.ina.com
Manufacturer Item Number	SCH1212
Weight / LBS	0.06
Width	0.75 Inch 19.05 Millimeter
Outside Diameter	1.063 Inch 27 Millimeter



Shandong Chik Bearing Co., Ltd.

Bore	0.75 Inch 19.05 Millimeter
------	------------------------------