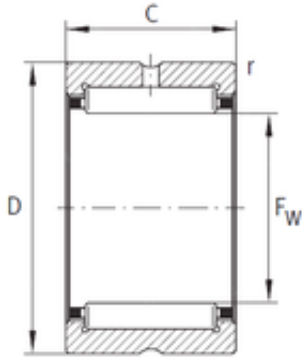




Shandong Chik Bearing Co., Ltd.

INA NKS70-XL needle roller bearings



NKS70-XL Bearing 2D drawings and 3D CAD models

Bearing No. NKS70-XL

Size	70x90x28 mm
Bore Diameter	70 mm
Outer Diameter	90 mm
Width	28 mm
F _w	70 mm
D	90 mm
C	28 mm
r min.	1,1 mm
Weight	0,38 Kg
Basic dynamic load rating (C)	77 kN
Basic static load rating (C ₀)	113 kN
Fatigue load limit (P _u)	20
Reference speed	4 900 r/min