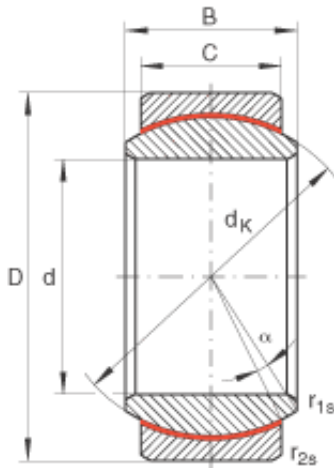




Shandong Chik Bearing Co., Ltd.



GE8-UK Bearing 2D drawings and 3D CAD models

INA GE8-UK plain bearings

Bearing No. GE8-UK

Size	8x16x8 mm
Bore Diameter	8 mm
Outer Diameter	16 mm
Width	8 mm
C	5 mm
$D_{a \min}$	12,5 mm
$d_{a \max}$	10,2 mm
d_K	13 mm
$r_{1s \min}$	0,3 mm
$r_{2s \min}$	0,3 mm
alf (°)	15
Weight (kg)	0,007
C_r (N)	5850
C_{Or} (N)	14600
Category	Spherical Plain Bearings - Radial
Inventory	0.0
Manufacturer Name	SCHAEFFLER GROUP
Minimum Buy Quantity	N/A
Weight / Kilogram	0.008
EAN	4012802531428
Product Group	B04120
Self Aligning	Yes
Rolling Element	Spherical Plain
Material - Outer Member	Steel
Material - Ball	Steel



Shandong Chik Bearing Co., Ltd.

Material - Liner	Teflon
Relubricatable	No
Enclosure	Open
Other Features	2 Piece Axially Split Outer Ring
Long Description	8MM Bore; 5MM Housing Width; 16MM Outside Diameter; Spherical Plain; Steel Outer Member; Steel Ball; Teflon Liner; 8MM Overall Width; Not Relubricatable
Inch - Metric	Metric
Category	Plain Bearings Spherical Radial
UNSPSC	31171515
Harmonized Tariff Code	8483.30.80.70
Noun	Bearing
Keyword 3	Spherical
Keyword String	Plain Spherical Radial
Manufacturer URL	http://www.ina.com
Manufacturer Item Number	GE8UK
Weight / LBS	0.015
Outside Diameter	0.63 Inch 16 Millimeter
Housing Width	0.197 Inch 5 Millimeter
Overall Width	0.315 Inch 8 Millimeter
Bore	0.315 Inch 8 Millimeter