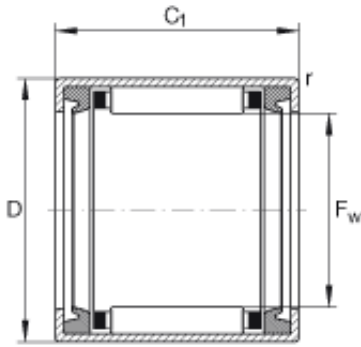




Shandong Chik Bearing Co., Ltd.



INA HK2524-2RS needle roller bearings

Bearing No. HK2524-2RS

HK2524-2RS Bearing 2D drawings and 3D CAD models

| | |
|---------------------------------|----------------------------------------------------|
| Size | 25x32x24 mm |
| Bore Diameter | 25 mm |
| Outer Diameter | 32 mm |
| Width | 24 mm |
| F_w | 25 mm |
| D | 32 mm |
| C_1 - 24 mm / Tolerance: -0,3 | 24 mm / Tolerance: 0,3 |
| r_{min} | 0,8 mm |
| m | 40 g / Weight |
| C_r | 19900 N / Dynamic load rating (radial) |
| C_{0r} | 33000 N / Static load rating (radial) |
| C_{ur} | 4200 N / Fatigue limit load, radial |
| $n_{G\text{ Fett}}$ | 7000 1/min / Limiting speed for grease lubrication |
| Category | Needle Non Thrust Roller Bearings |
| Inventory | 0.0 |
| Manufacturer Name | SCHAEFFLER GROUP |
| Minimum Buy Quantity | N/A |
| Weight / Kilogram | 0.04 |
| EAN | 4047643186919 |
| Product Group | B04144 |
| Rolling Element | Needle Roller Bearing |
| Component | Roller Assembly with Outer |



Shandong Chik Bearing Co., Ltd.

| | |
|---------------------------|----------------------------------------------------------------------------------------------------------------------------------------------------------------------------------------------------------|
| | Ring - No Inner Ring |
| Enclosure | 2 Seals |
| Self Aligning | No |
| Retainer | Yes |
| Number of Rows of Rollers | Single Row |
| Separable | No |
| Closed End | No |
| Inch - Metric | Metric |
| Relubricatable | No |
| Thrust Bearing | No |
| Long Description | 25MM Bore; 32MM Outside Diameter; 24MM Width; Needle Roller Bearing; Roller Assembly with Outer Ring - No Inner Ring; 2 Seals; Not Self Aligning; Retainer; Single Row of Rollers; Not Separable; Not CI |
| Other Features | 2 Rib Outer Ring Drawn Cup Bearing Steel Cage |
| Category | Needle Non Thrust Roller Bearing |
| UNSPSC | 31171512 |
| Harmonized Tariff Code | 8482.99.65.30 |
| Noun | Roller Assembly with Outer Ring |
| Keyword String | Bearing Needle |
| Manufacturer URL | http://www.ina.com |
| Manufacturer Item Number | HK25242RS |
| Weight / LBS | 0.088 |
| Outside Diameter | 1.26 Inch 32 Millimeter |
| Bore | 0.984 Inch 25 Millimeter |
| Width | 0.945 Inch 24 Millimeter |