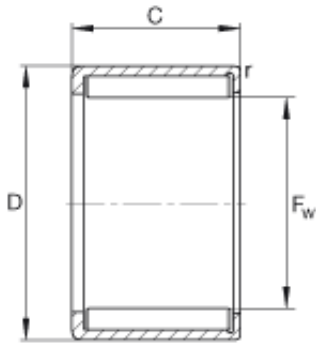




Shandong Chik Bearing Co., Ltd.



INA HN4525 needle roller bearings

Bearing No. HN4525

Size	45x52x25 mm
Bore Diameter	45 mm
Outer Diameter	52 mm
Width	25 mm
F_w	45 mm
D	52 mm
C - 25 mm / Tolerance: -0,3	25 mm / Tolerance: 0,3
r_{min}	0,8 mm
m	85 g / Weight
C_r	47000 N / Dynamic load rating (radial)
C_{0r}	139000 N / Static load rating (radial)
C_{ur}	19500 N / Fatigue limit load, radial
n_G	3350 1/min / Limiting speed
n_B	3250 1/min / Reference speed

HN4525 Bearing 2D drawings and 3D CAD models