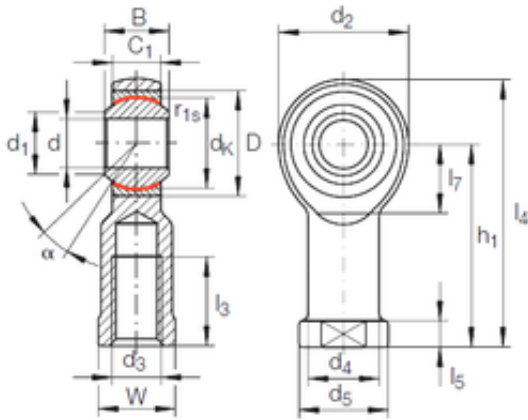




Shandong Chik Bearing Co., Ltd.

12 mm x 26 mm x 16 mm 12 mm x 26 mm x 16 mm INA GIPR 12 PW plain bearings



Bearing No. GIPR 12 PW

GIPR 12 PW Bearing 2D drawings and 3D CAD models

Size	12x26x16 mm
Bore Diameter	12 mm
Outer Diameter	26 mm
Width	16 mm
d	12 mm
D	26 mm
B	16 mm
d1	15,4 mm
d2	32 mm
d4	17,5 mm
dk	22,225 mm
h1	50 mm
l3 min.	22 mm
l4 max.	66 mm
l5	6,5 mm
l7 min.	17 mm
r1 min.	0,3 mm
C1	12 mm
W	19 mm
Thread (G)	M12X1,25
Angle	13 °
d5	22 r/min
Weight	0,1 Kg
Basic dynamic load rating (C)	24 kN