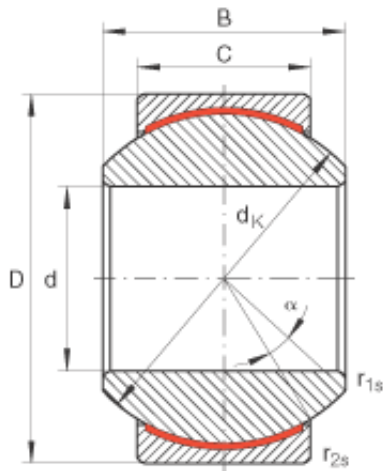




Shandong Chik Bearing Co., Ltd.



GE16-PW Bearing 2D drawings and 3D CAD models

INA GE16-PW plain bearings

Bearing No. GE16-PW

Size	16x32x21 mm
Bore Diameter	16 mm
Outer Diameter	32 mm
Width	21 mm
C	15 mm
$D_{a \min}$	25,5 mm
$d_{a \max}$	19,3 mm
d_K	28,575 mm
$r_{1s \min}$	0,3 mm
$r_{2s \min}$	0,3 mm
alf (°)	15
Weight (kg)	0,079
C_r (N)	38600
C_{0r} (N)	96400
Category	Spherical Plain Bearings - Radial
Inventory	0.0
Manufacturer Name	SCHAEFFLER GROUP
Minimum Buy Quantity	N/A
Weight / Kilogram	0.095
EAN	4012802531459
Product Group	B04264
Self Aligning	Yes
Rolling Element	Spherical Plain
Material - Outer Member	Steel
Material - Ball	Steel



Shandong Chik Bearing Co., Ltd.

Material - Liner	Bronze Teflon
Relubricatable	No
Enclosure	Open
Other Features	3 Piece Maintenance Free
Long Description	16MM Bore; 15MM Housing Width; 32MM Outside Diameter; Spherical Plain; Steel Outer Member; Steel Ball; Bronze Teflon Liner; 21MM Overall Width; Not Relubricatable
Inch - Metric	Metric
Category	Plain Bearings Spherical Radial
UNSPSC	31171515
Harmonized Tariff Code	8483.30.80.70
Noun	Bearing
Keyword 3	Spherical
Keyword String	Plain Spherical Radial
Manufacturer URL	http://www.ina.com
Manufacturer Item Number	GE16PW
Weight / LBS	0.176
Bore	0.63 Inch 16 Millimeter
Housing Width	0.591 Inch 15 Millimeter
Outside Diameter	1.26 Inch 32 Millimeter
Overall Width	0.827 Inch 21 Millimeter