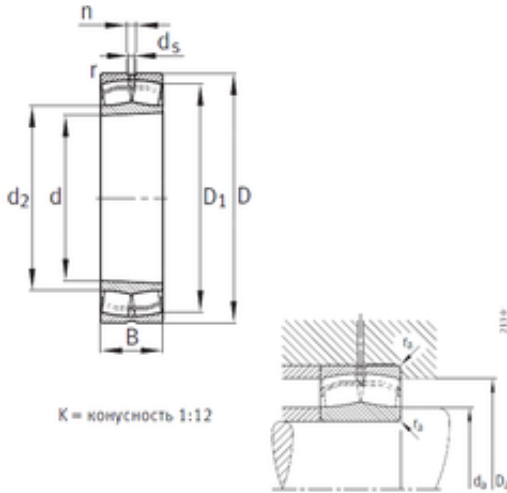




Shandong Chik Bearing Co., Ltd.



170 mm x 360 mm x 120 mm 170 mm x 360 mm x 120 mm FAG 22334-K-MB spherical roller bearings

Bearing No. 22334-K-MB

Size	170x360x120 mm
Bore Diameter	170 mm
Outer Diameter	360 mm
Width	120 mm
d	170 mm
D	360 mm
B	120 mm
C	120 mm
n	17,7 mm
d2	– mm
r min.	4 mm
D1	304,2 mm
da min.	187 mm
Da max.	343 mm
ra max.	3 mm
d5	9,5 r/min
Weight	56,9 Kg
Basic dynamic load rating (C)	1600 kN
Basic static load rating (C0)	2120 kN
Fatigue load limit (Pu)	134
Reference speed	1 380 r/min
Limiting speed	1 800 r/min
Calculation factor (e)	0,37
Calculation factor (Y0)	1,79

22334-K-MB Bearing 2D drawings and 3D CAD models



Shandong Chik Bearing Co., Ltd.

Calculation factor (Y1)	1,83
-------------------------	------